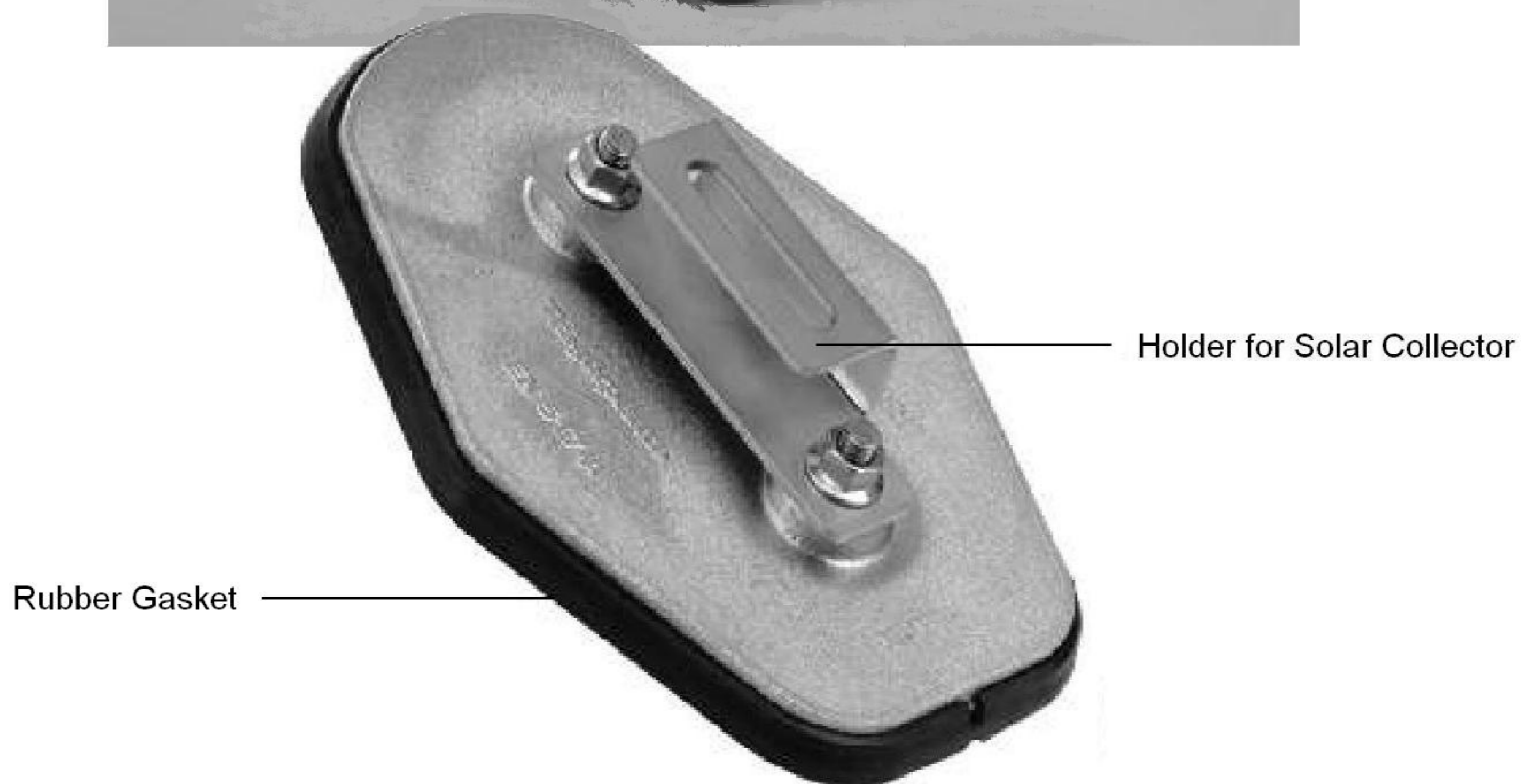
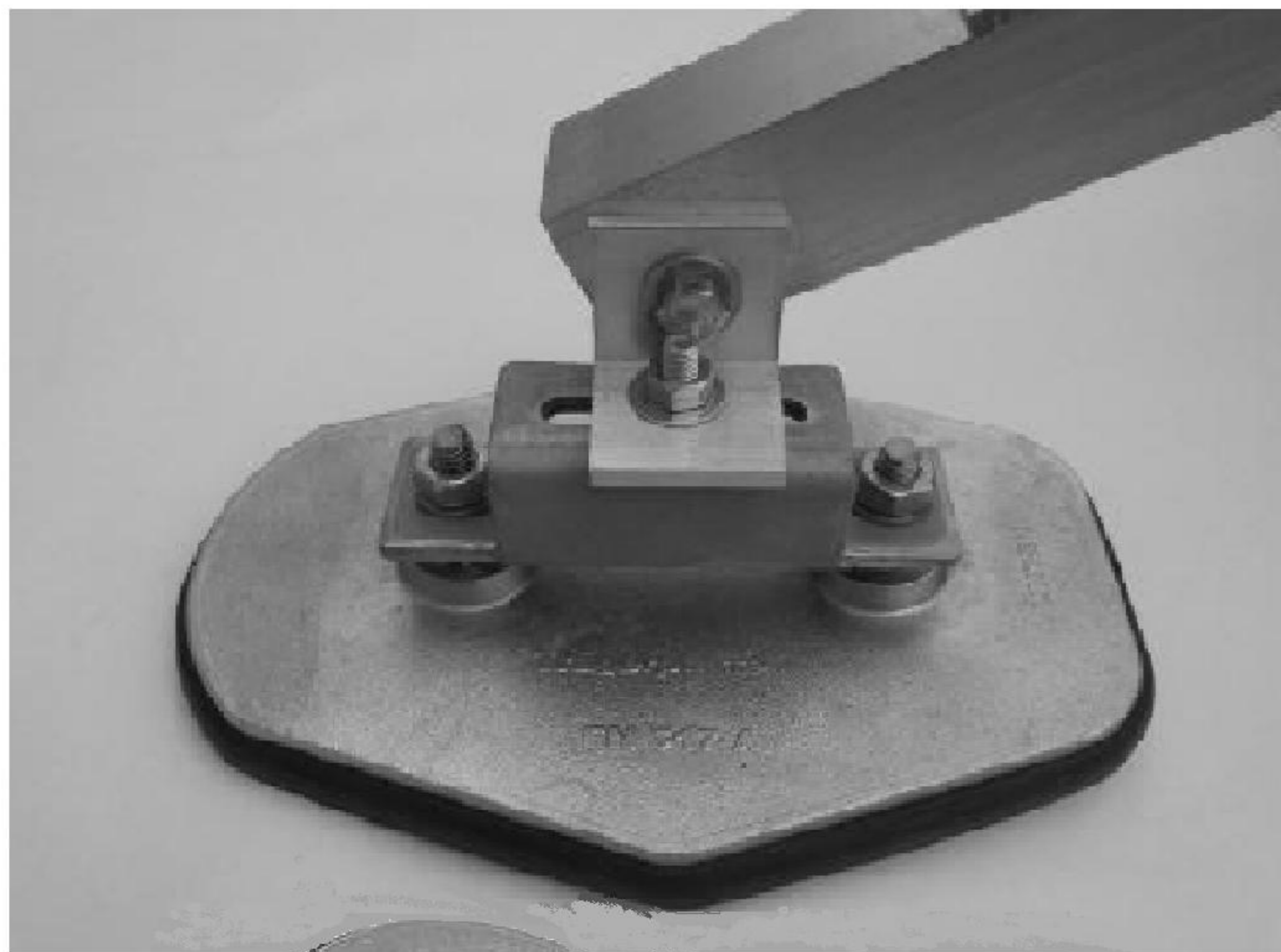


Assembly and Use Instructions for

## HEUEL-SAFE

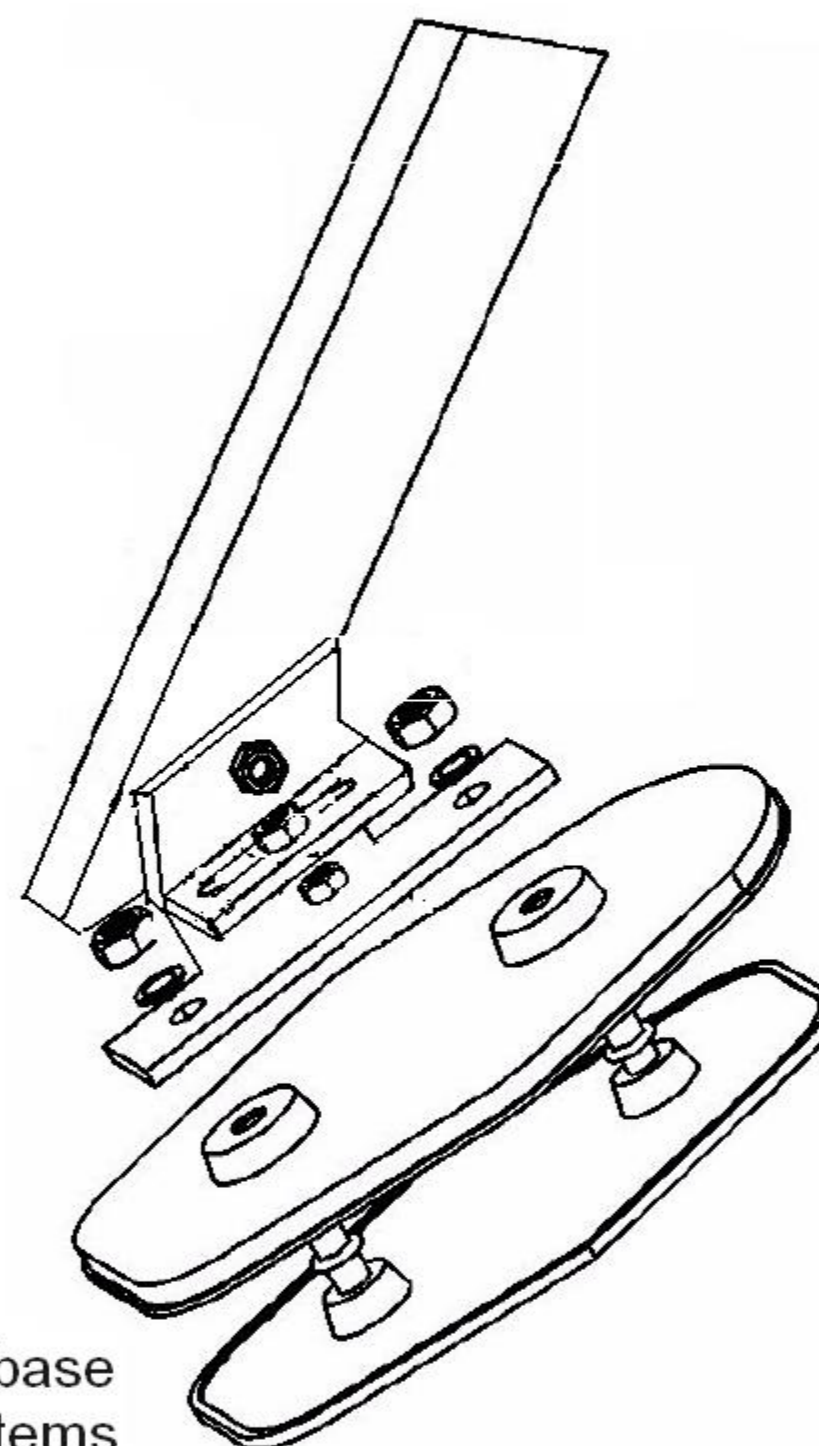
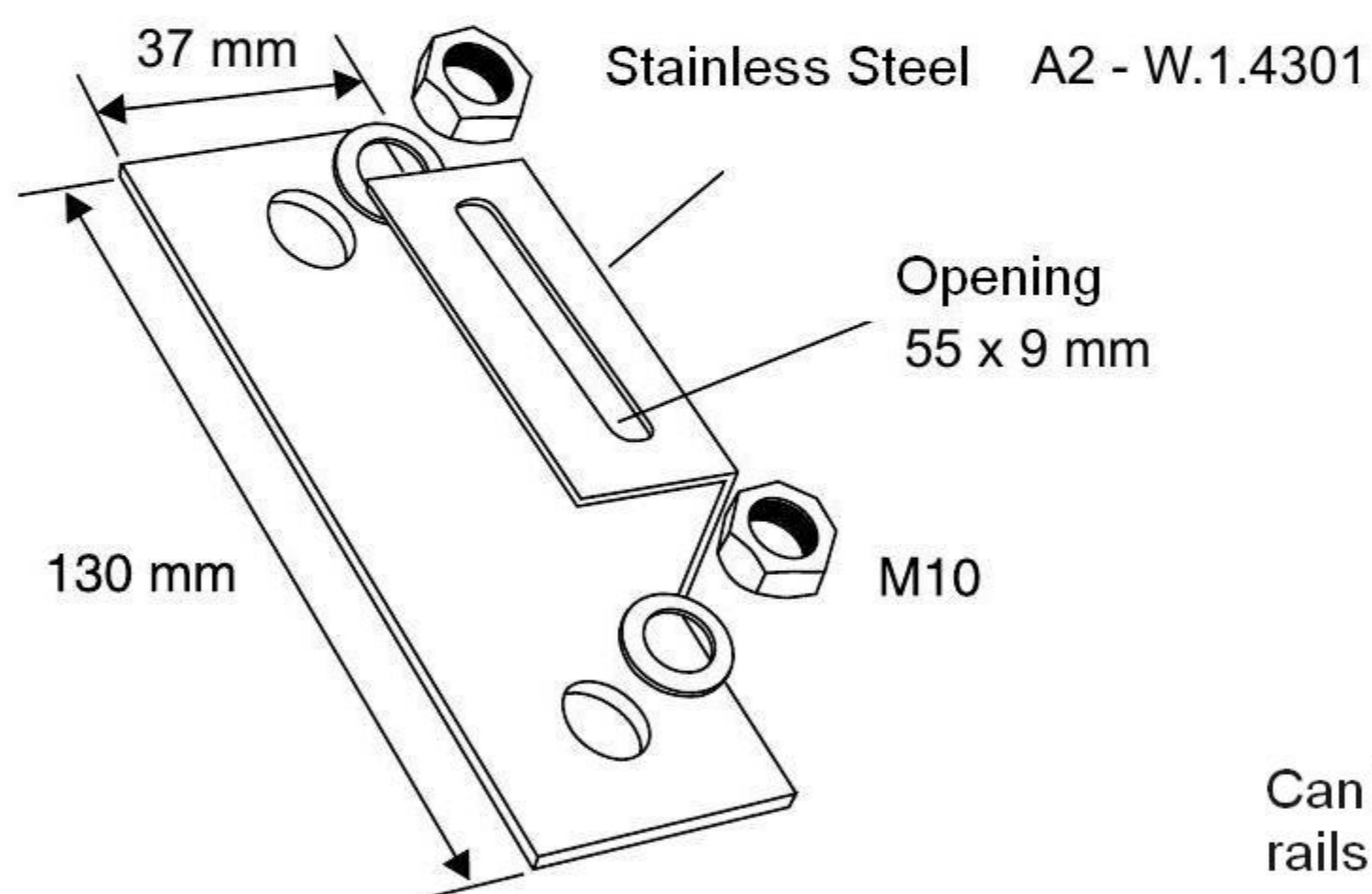
Design: Support Plates set with stainless steel solar holder

The foot plate can be mounted on solid ground or flat roofing structure

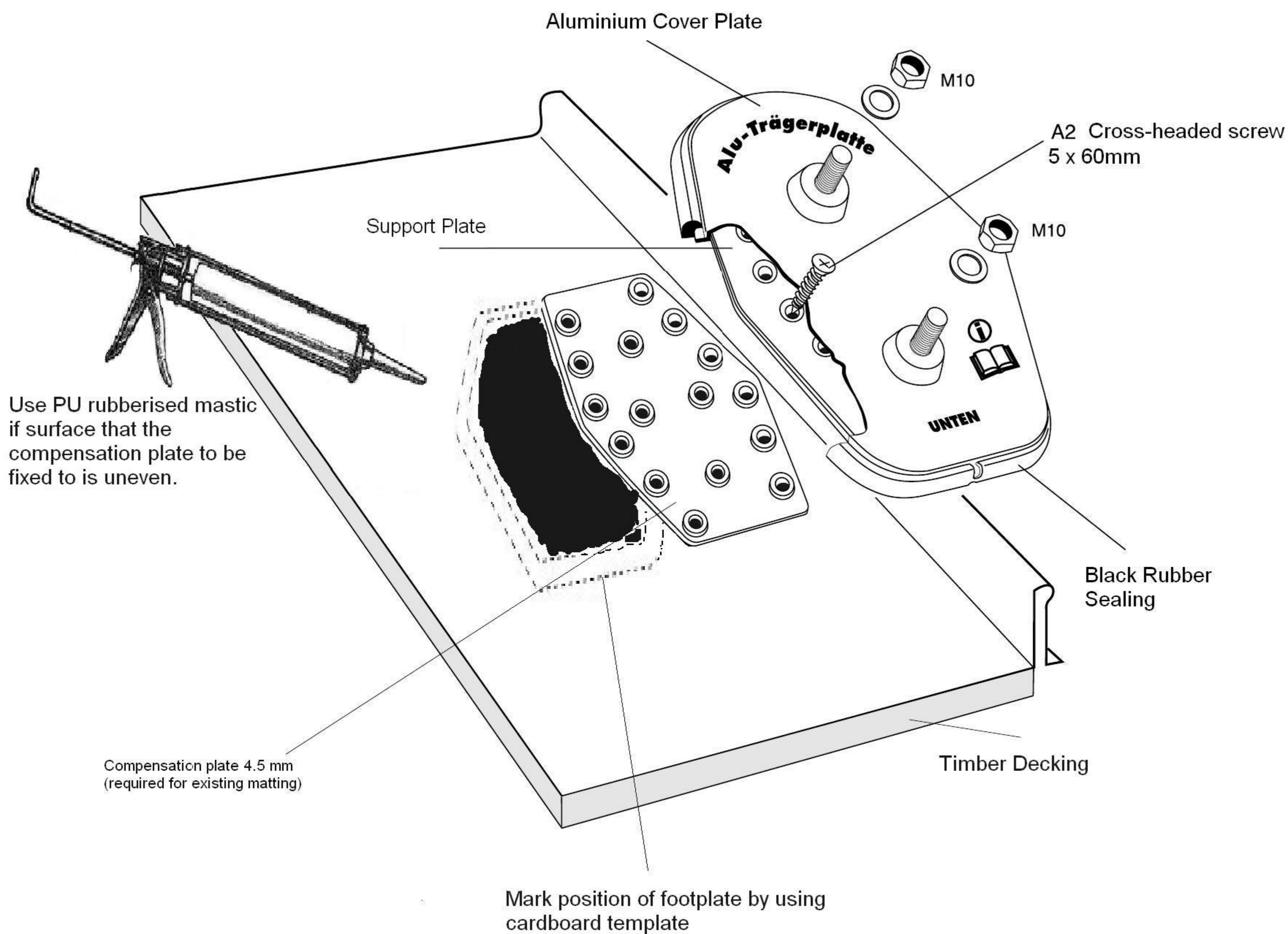


# Building HEUEL-SAFE Nr. 528 00

Stainless steel holder for solar systems:

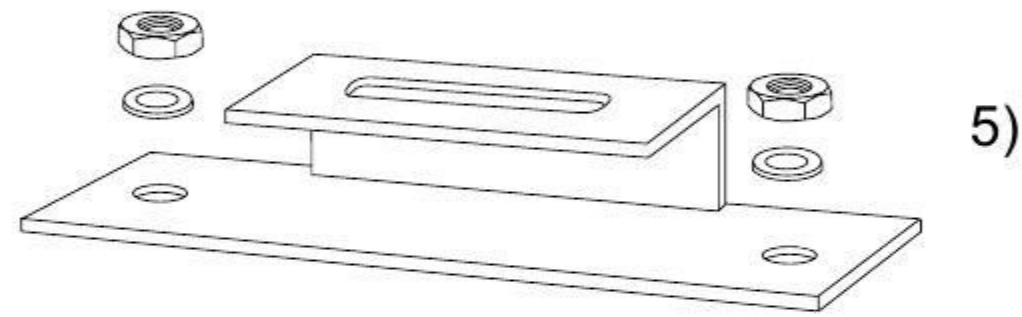


Can be used with aluminium base rails and a-frame support systems

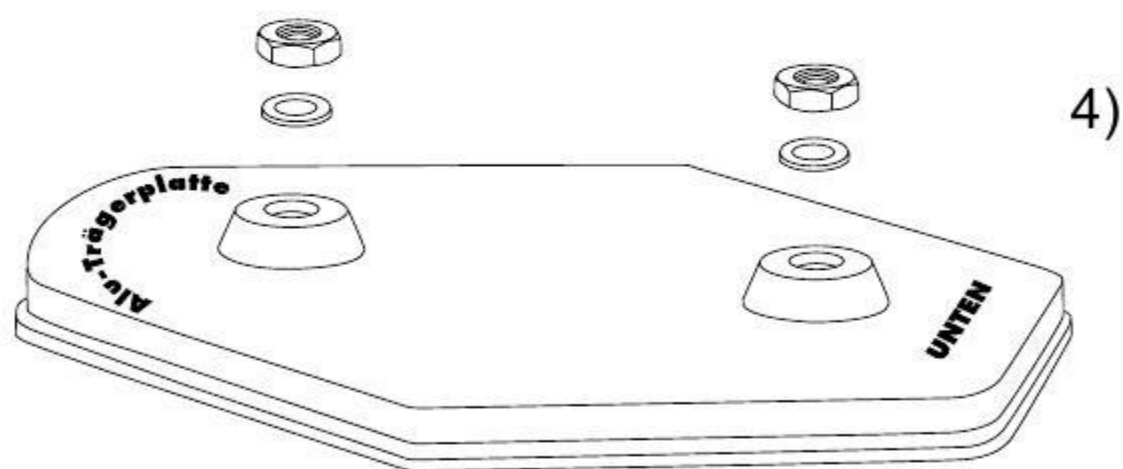


# Assembly and Use Instructions

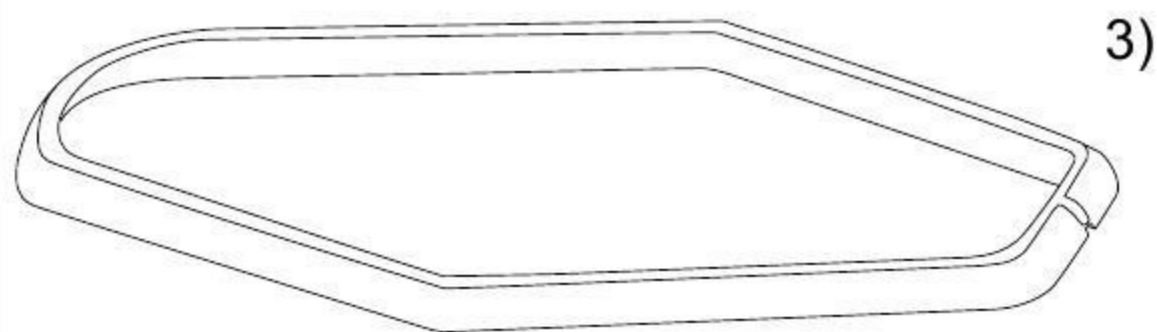
## HEUEL-SAFE



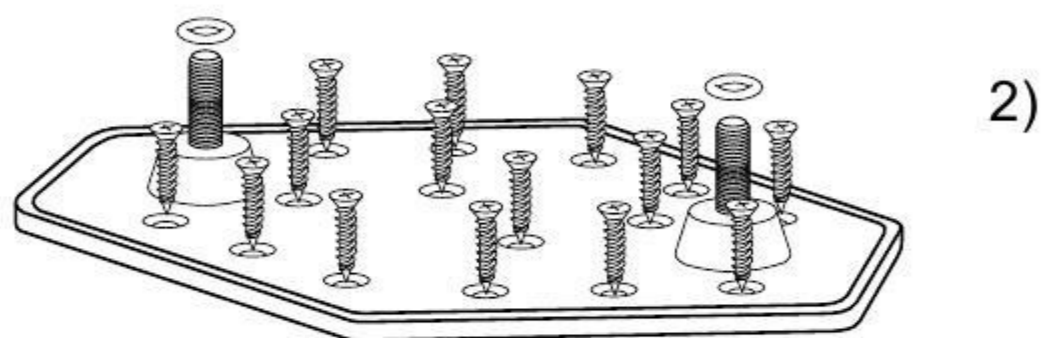
Solar holder



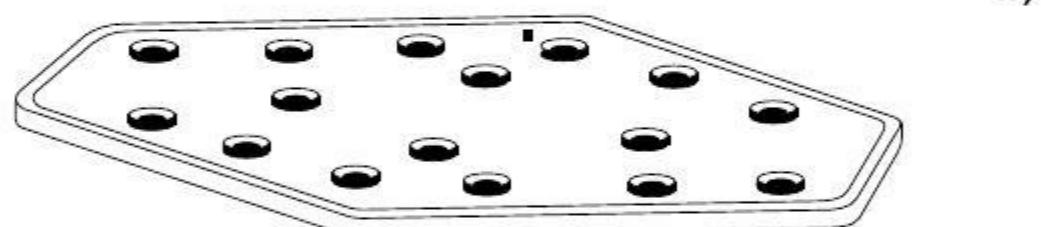
Cover



rubber gasket - black



Support plate



Compensation plate 4.5 mm thick

### Note:

The carrier board can be mounted on solid surface. The allowable stresses are observed according to the load charts.

### Use restrictions:

- Each Foot Plate Set may schedule only one of the following load combinations be changed:

- a) normal force + lateral force perpendicular to the ridge
- b) normal force + shear force along the ridge

Construction to be as low as possible.

- Connection of Solar holder to timber formwork min 24mm thick - not for chip board or fibreboard
- Heuel safe is only suitable for mounting the in areas outside formwork joints

Wood screws of at least 60mm.

- When mounting the support plate, position of formwork joints need to be in considered

- Distance of the transverse joints with each other at least 100mm away

- Longitude joints in the exact centre of the support plate above the rafters. Rafters at least 80mm wide

### Assembly Sequence:

Insert the template on the roof and position area.

Bolt Compensation Plate (1) to the structure using stainless steel screws.

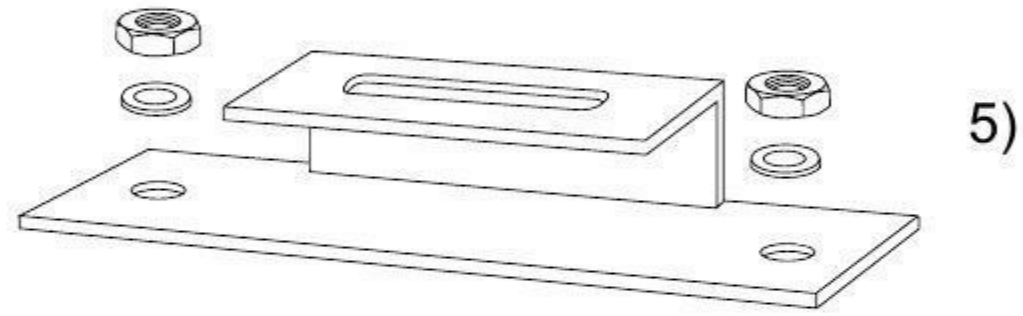
Fix backing plate (2) on the structure using the enclosed stainless steel screw 5x60 screws.

Place rubber O rings over the 2 x 10mm studs

Position rubber gasket (3)

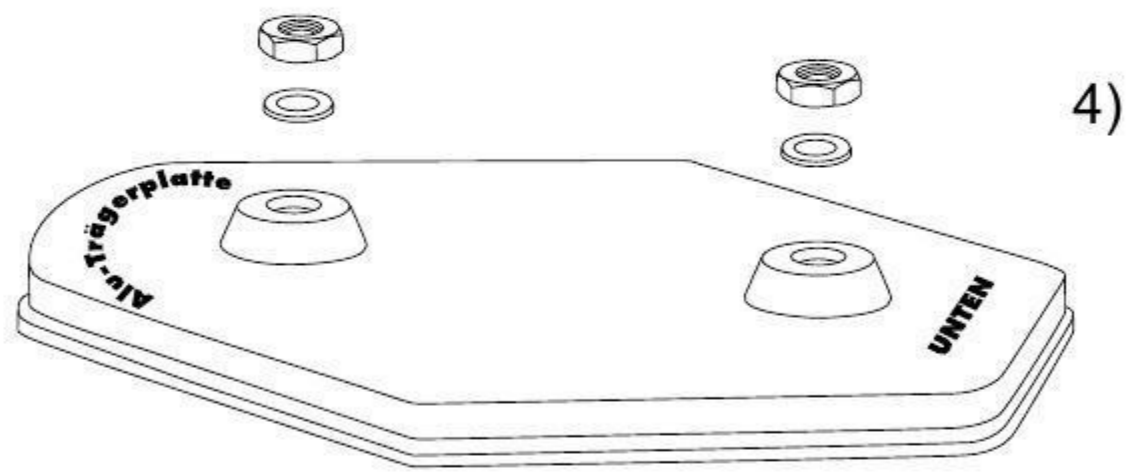
Attach cover (4) and fix with washer, M10 nut and bolt on the support plate.

Attach Solar holder (5) with the opening up to the studs and secure with the supplied lock washers and nuts and M10 Screw



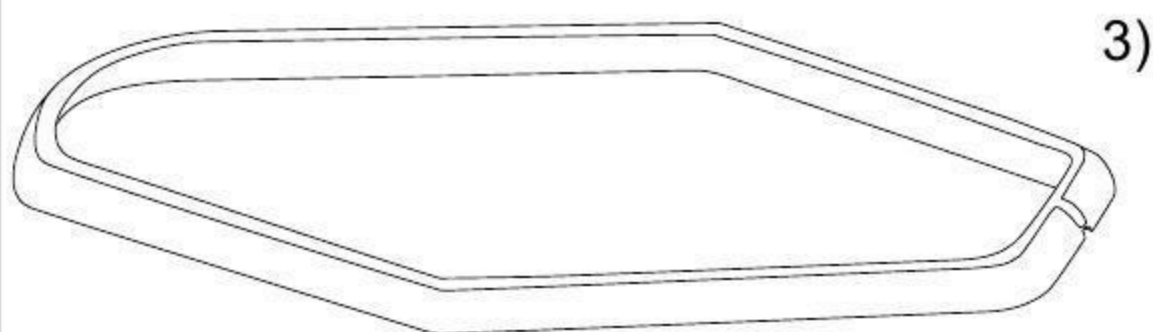
Solar holder

1x A2 Solar Holder 5mm



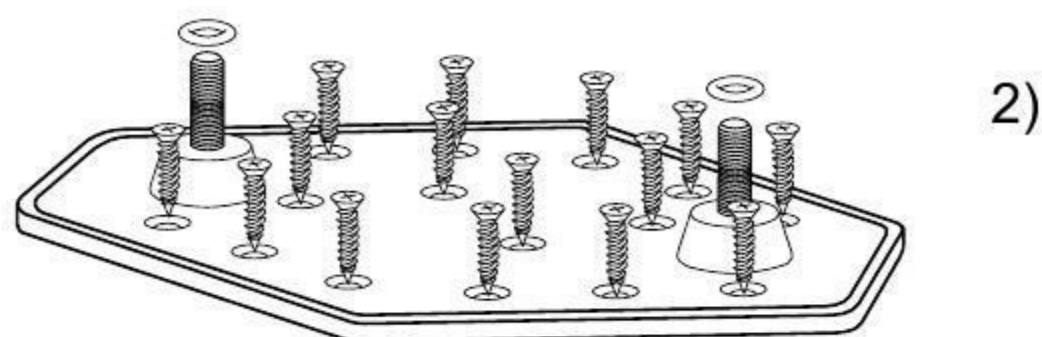
Cover

2x A2 M10 nuts  
2x A2 M10 washers  
1x Aluminum cover plate



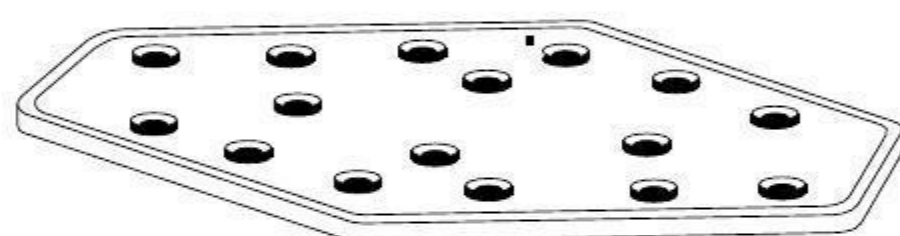
Black Rubber Gasket

1 x Black Rubber Gasket



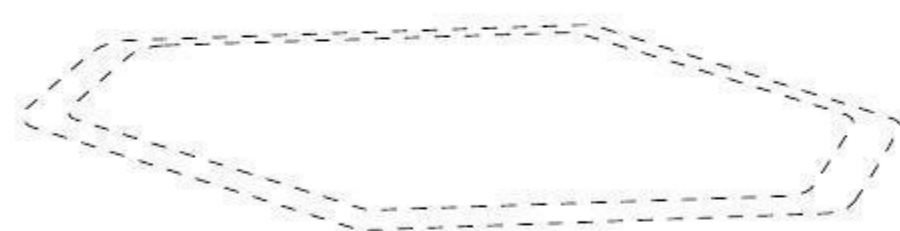
Support Plate

1x aluminum support plate with 16 holes  
2x O-ring  
16 A2 torque screws 5 x 60 mm



Compensation Plate  
4.5mm thick

1x Aluminum compensation plate 4.5 mm  
with 16 holes  
(must be installed in existing structure mat)



1x template (cardboard)

**Maintenance:**  
The carrier plate is made of high quality aluminum and need not be maintained after installation. Screws and bracket are made of A2 stainless steel according to authorization BAZ 30.3-6 (Wnr 1.4301) S235. All these materials meet Corrosion protection class II according BAZ 30.3-6